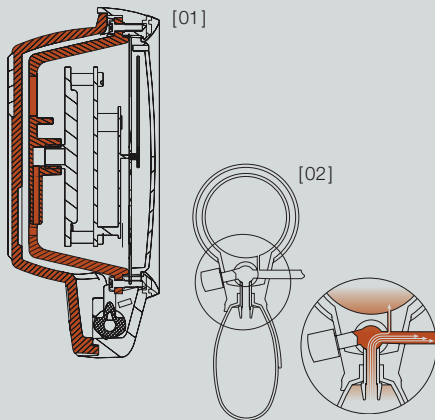


**It's sure
to increase
your
HEARTBEAT.
Out of pure
JOY.**





SHOCKPROOF



SHOCKPROOF

[01] Shockproof double-walled construction with unique manometer protection.

The robust double-walled construction with a unique triple manometer mount gives ideal protection against shocks. Meets the requirements of European Standard EN ISO 81060-1 and ANSI/AAMI/ISO 81060-1.

AIR PRESSURE DISTRIBUTION SYSTEM

[02] Single-tube construction with an innovative air pressure distribution

system. The valve construction provides ideal air pressure conditions to absorb pressure peaks in the air flow to the manometer during inflation. This advantage was only possible until now with twin-tube systems.



CLINICAL APPROVAL

HEINE GAMMA® G7

The model with aluminium alloy construction and precision valve



∴ Shockproof

∴ Latex-free

∴ Aluminium upper housing

∴ 10 year guarantee

- ∴ Shockproof.
- ∴ Latex-free.
- ∴ Exclusive pressure-distribution system.
- ∴ Pressure-proof manometer. Ensures durability and reliability.
- ∴ Micro filter. Protects valve and manometer.
- ∴ Large diameter scale. 56 mm diameter black-on-white scale is easy to read.
- ∴ High quality indicator. Precisely calibrated, durable and shock resistant.
- ∴ Large insufflation bulb. 50 % larger bulb volume for fast inflation of the cuff.
- ∴ Exclusive air-release valve. Provides fine and precise air release rate adjustment, quick deflation, and extreme durability. A rubber-stop prevents valve-lock.
- ∴ Upper housing made of aluminium alloy with a shock absorbing ring protecting indicator and glass.
- ∴ Lower housing is moulded of shockproof plastic with shock absorbing, anti-slip coating.
- ∴ Light alloy, adjustable spoon. For both right- or left-handed operation.
- ∴ High quality, single-tube cuff with velcro fastener. Washable.
- ∴ Ergonomic design: G7 is perfectly balanced for comfort and ease of use.
- ∴ 10 year guarantee.*

*against defects in design, materials and workmanship for a period of 10 years from the date of purchase.

GAMMA G7

complete with adult cuff, in zipper pouch	M-000.09.232
complete with child cuff, in zipper pouch	M-000.09.233
Practice kit with child, adult and small adult cuff in zipper pouch	M-000.09.554
complete with adult cuff without zipper pouch, box of 10	M-000.09.560

HEINE GAMMA® G5

The HEINE standard sphygmomanometer



∴ Shockproof

∴ Latex-free

∴ Shock-absorbing housing

Combines all design and quality features of the GAMMA G7, except:

- ∴ **Housing is moulded of shockproof plastic** with shock absorbing, anti-slip coating.
- ∴ **Adjustable spoon (plastic).** For both right or left-handed operation.
- ∴ **5 year guarantee.***

*against defects in design, materials and workmanship for a period of 5 years from the date of purchase.

GAMMA G5	
complete with adult cuff, in zipper pouch	M-000.09.230
complete with child cuff, in zipper pouch	M-000.09.231
Practice kit with child, adult and small adult cuff in zipper pouch	M-000.09.555
complete with adult cuff without zipper pouch, box of 10	M-000.09.561

HEINE GAMMA® GP

The HEINE standard sphygmomanometer with push-button valve



∴ Shockproof

∴ Latex-free

∴ Shock-absorbing housing

Combines all design and quality features of the GAMMA G5, but with a push-button valve:

- ∴ **Innovative push-button valve.** Fine and precise air-release rate adjustment, ultra-fast air-release, practically wear-free. Easy to operate by both left and right-handed users.
- ∴ **5 year guarantee.***

*against defects in design, materials and workmanship for a period of 5 years from the date of purchase.

GAMMA GP	
complete with adult cuff, in zipper pouch	M-000.09.242
complete with child cuff, in zipper pouch	M-000.09.243
Practice kit with child, adult and small adult cuff in zipper pouch	M-000.09.556
complete with adult cuff without zipper pouch, box of 10	M-000.09.562



HEINE GAMMA® XXL LF

The top-quality professional model

Since the GAMMA XXL LF is non-mercurial, it is both safe and environmentally-friendly.



[01]

∴ Oversized scale

∴ Latex-free

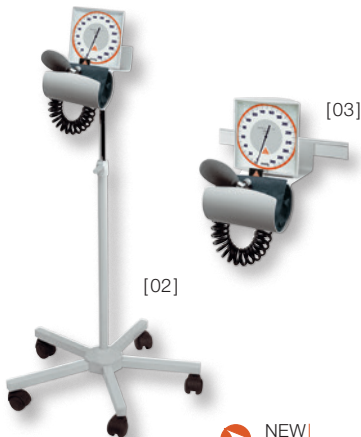
∴ 10 year guarantee

- ∴ **Latex-free.**
- ∴ **Durable polycarbonate construction.** Will hold up in the busiest hospital and practice environments.
- ∴ **Oversized 130 mm diameter scale.** Can be pivoted for clear, easy reading from any angle.
- ∴ **Long spiral inflation tube (3 m).** For increased working distance.
- ∴ **High quality indicator.** Precisely-calibrated and durable.
- ∴ **Precision air-release valve.** Fine and precise air release.
- ∴ **Maintenance-free,** precise and durable manometer.
- ∴ **Mercury-free.** Environmentally friendly.
- ∴ **Wall, desk, rail and wheeled stand.** Adjustable height.
- ∴ **10 year guarantee.***

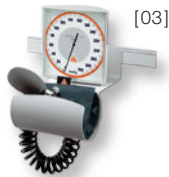
*against defects in design, materials and workmanship for a period of 10 years from the date of purchase.

GAMMA XXL LF	
LF-W Wall [01]	M-000.09.323
LF-S Wheeled stand [02]	M-000.09.326
LF-R Rail [03]	M-000.09.325
LF-T Desk (non-spiral insufflation tube) [04]	M-000.09.322
NEW: GAMMA XXL LF-WB for Wallboard, see page 153 [05]	M-000.09.327

Accessories	
Cuff-holder for GAMMA XXL LF-T	M-000.09.141
Desk stand for GAMMA XXL LF-T	M-000.09.142
Adjustable wheeled stand for GAMMA XXL LF-S (Height 80 – 125 cm)	M-000.09.145
Universal mounting plate for GAMMA XXL LF-W, -S, -R	M-000.09.306
Rail clamp for GAMMA XXL LF-R	M-000.09.307



[02]



[03]



[04]



[05]

NEW!

Blood-pressure cuffs and accessories

Latex-free blood-pressure cuffs



Cuffs for GAMMA G7/G5/GP/XXL LF sphygmomanometers.

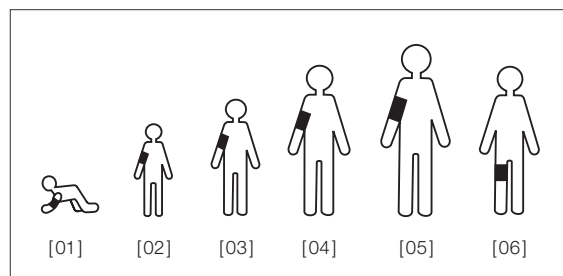
- ∴ Latex-free.
- ∴ Fit the most widely used sphygmomanometers.
- ∴ High-quality velcro cuffs made of wear-resistant material. Physiologically tested.
- ∴ Double-sewn.
- ∴ Washable.
- ∴ Index mark for exact positioning.
- ∴ Clear indication of size and control mark for arm circumference.
- ∴ Extra thick, highly flexible tube. For a long life.
- ∴ Proven reliability. Absolutely airtight system.

	GAMMA G7/G5/GP	Single-tube cuffs (cpl.)			Single-tube bladders		Outer cuffs	
		Size	Circumference/cm		Size	Size		
	Infant [01]	6x28	8–13		5x9	M-000.09.661	6x28	M-000.09.059
	Child [02]	10x34	13–20		7x14	M-000.09.663	10x34	M-000.09.060
	Adult small [03]	14x53	20–29		11x23	M-000.09.664	14x53	M-000.09.061
	Adult [04]	14x58	29–41		12x28	M-000.09.665	14x58	M-000.09.055
	Adult large [05]	17x70	35–47		15x34	M-000.09.668	17x70	M-000.09.058
	Thigh [06]	20x86	41–59		18x41	M-000.09.667	20x86	M-000.09.057

	GAMMA XXL LF	Twin-tube cuffs (cpl.)			Twin-tube bladders		Outer cuffs	
		Size	Circumference/cm		Size	Size		
	Infant [01]	6x28	8–13		5x9	M-000.09.671	6x28	M-000.09.059
	Child [02]	10x34	13–20		7x14	M-000.09.673	10x34	M-000.09.060
	Adult small [03]	14x53	20–29		11x23	M-000.09.674	14x53	M-000.09.061
	Adult [04]	14x58	29–41		12x28	M-000.09.675	14x58	M-000.09.055
	Adult large [05]	17x70	35–47		15x34	M-000.09.678	17x70	M-000.09.058
	Thigh [06]	20x86	41–59		18x41	M-000.09.677	20x86	M-000.09.057

Please note that the position of the connections on the cuffs and bladders has changed.

When ordering spare parts, always quote the LOT number printed on the cuff. This will enable us to supply the correct bladders/outer cuffs.





HEINE® EN200 BP Automatic Digital Sphygmomanometer

For reliable and medical relevant measurement values



[01]

- ⋮ **Outstanding measurement accuracy with absolutely precise results (+/- 3 mmHg).**
- ⋮ **Digital, fully automatic and with intuitive menu navigation.** Easy to use, optimises the workflow and saves time.
- ⋮ **Graphic display with 16 mio. colours and touch screen.**
- ⋮ **Reliably detects cardiac dysrhythmia and motion artifacts.**
- ⋮ **Improved hygienic reprocessing** due to optimised design and without any moving control elements.
- ⋮ **Three measuring modes.** Two automatic and one manual measurement mode: rapid single measurements, double measurements and manual measurements (auscultation with stethoscope). Offers reliable and medical relevant measuring values for a professional diagnostic in every situation of day-to-day medical care.
- ⋮ **Quick release connector.** Cuffs (reusable cuffs and single-patient use cuffs) can be changed within seconds – the correct cuff size for every patient.
- ⋮ **Capable of memorising** recent blood pressure and pulse readings. 500 memory spaces per measurement mode.

Core ABPM Measure Technology exclusively manufactured for HEINE by ERKA.

EXCLUSIVELY AT HEINE

- Outstanding measurement accuracy
- Digital, fully automatic
- Memory capacity

EN200 BP Automatic Digital Sphygmomanometer	
EN200 BP as single module with long USB cord and E4-USB plug-in power supply, coiled tubing to connect cuffs, without cuffs [01]	M-000.09.202
EN200 BP for use with the EN 200 Wall Transformer (with short USB cord), coiled tubing to connect cuffs, without cuffs	M-000.09.201

⋮ **The HEINE Cuff Basket** offers an optimised workflow.



[02]

Accessories	
Cuff Basket (175 mm x 170 mm x 97,7 mm) [02]	M-000.09.140
Coiled tubing to connect cuffs	M-000.09.091
USB cord, short	X-000.99.203
USB cord, long	X-000.99.204
E4-USB plug-in power supply	X-000.99.305

HEINE® EN200 BP Sets



EN200 BP as Single Module	
Set complete with EN200 BP as single module (and long USB cord, E4-USB plug-in power supply), coiled tubing to connect cuffs, 3 Quick Cuff reusable cuffs (adult, small / adult / adult, large)	M-000.09.171
EN200 BP for EN200 Wall Transformer	
Set complete with EN200 BP for use with the EN200 Wall Transformer (and short USB cord), coiled tubing to connect cuffs, 3 Quick Cuff reusable cuffs (adult, small / adult / adult, large)	M-000.09.170

Cuffs for EN200 BP

Various cuffs for every area of application

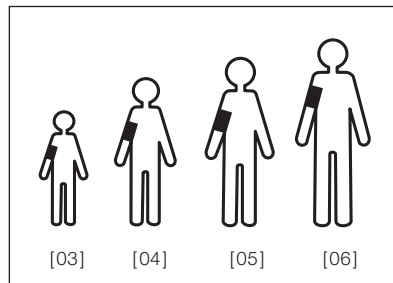
- ∴ **Easy handling.** Cuff with integrated bladder. Simplified hygienic reprocessing.
- ∴ **Excellent skin compatibility.** Latex and PVC free. Biocompatible.
- ∴ Available as **Reusable Cuffs** or **Single-Patient Use Cuffs**.
- ∴ **Colour-coded tubes** (every cuff size has a different colour).



Quick Cuff (Reusable)	Size/ cm	Circumference/ cm	
Adult, small [03]	42x12	20,5 – 28	M-000.09.803
Adult [04]	52x14	27 – 35	M-000.09.804
Adult, large [05]	66x17	34 – 43	M-000.09.805
Adult, XL [06]	83x21	42 – 54	M-000.09.806



Quick Cuff Single Patient (in packs of 10)	Size/ cm	Circumference/ cm	
Adult, small (10 pcs.) [03]	42x12	20,5 – 28	M-000.09.813
Adult (10 pcs.) [04]	52x14	27 – 35	M-000.09.814
Adult, large (10 pcs.) [05]	66x17	34 – 43	M-000.09.815





HEINE GAMMA® STETHOSCOPIES

- ∴ **Solid chest piece** and ideal weight avoid stray noise from manipulation and ensure excellent resonance. Hygienic matt chrome finish.
- ∴ **Chest piece with non-chill rims** for the comfort of the patients.
- ∴ Ergonomic, chrome-plated binaurals. Individually adjustable.
- ∴ **High-quality Y-piece tubing** for perfect acoustics and sound reproduction. Length 56 cm.
- ∴ **Latex-free** materials.

HEINE GAMMA® 3.1 Pulse Stethoscope

For fine acoustic performance.



- ∴ **Stethoscope with solid flat chest piece.** The chest piece can be easily inserted under the sphygmomanometer cuff.
- ∴ **High-quality membrane, 44 mm dia.**
- ∴ **Single-tube construction** with excellent sound transmission.
- ∴ **Includes ear olives** (large/soft) for sound insulation.
- ∴ **Optional available:** Ear olives, (small/hard) (M-000.09.946).

GAMMA 3.1

M-000.09.941

HEINE GAMMA® 3.2 Acoustic Stethoscope

For excellent acoustic performance.



Technical data as GAMMA 3.1, but with a double chest piece.

- ∴ **Combined double chest piece** with two different frequency ranges to choose from: A high-quality membrane on one side and a conical acoustic head on the other side.
- ∴ **High-quality membrane, 44 mm diameter** for excellent acoustic performance and sound transmission.
- ∴ **Cone diameter 30 mm.**

GAMMA 3.2

M-000.09.942

HEINE GAMMA® 3.3 Acoustic Stethoscope

For the examination of children.



Technical data as GAMMA 3.2.

- ∴ **Reduced contact area** of 31 mm makes GAMMA 3.3 ideal for examining children.

GAMMA 3.3

M-000.09.943

HEINE GAMMA® C3 Cardio Stethoscope

Specially developed for cardiology.



- ∴ **Exceptional acoustic performance**, particularly in the cardiac frequency range.
- ∴ **Combined double chest piece** with two different frequency ranges. Instant selection of a double membrane on one side or a conical acoustic head on the other.
- ∴ **High-performance double membrane, 45 mm diameter** gives ideal sound transmission and perfect skin contact for exceptional sound reproduction.
- ∴ **Two-in-one tube system** for enhanced performance. Very supple, yet kink-resistant with exceptional acoustic reproduction.
- ∴ **Includes ear olives** (large/soft) and one pair of replacements (small/hard) for sound insulation.

GAMMA C3

M-000.09.944